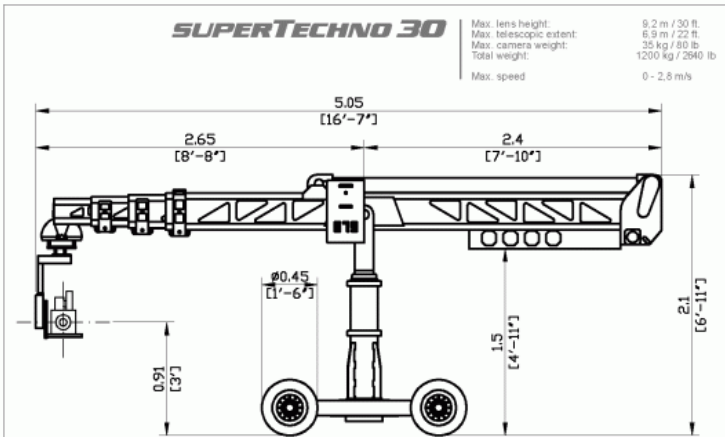
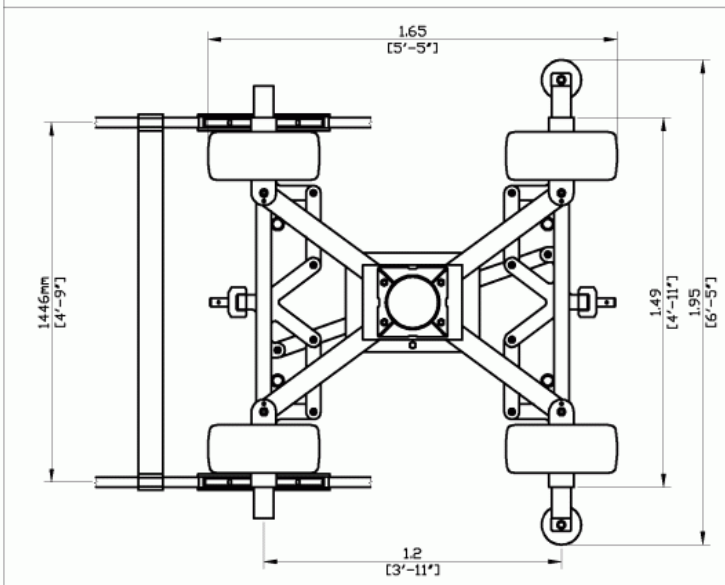




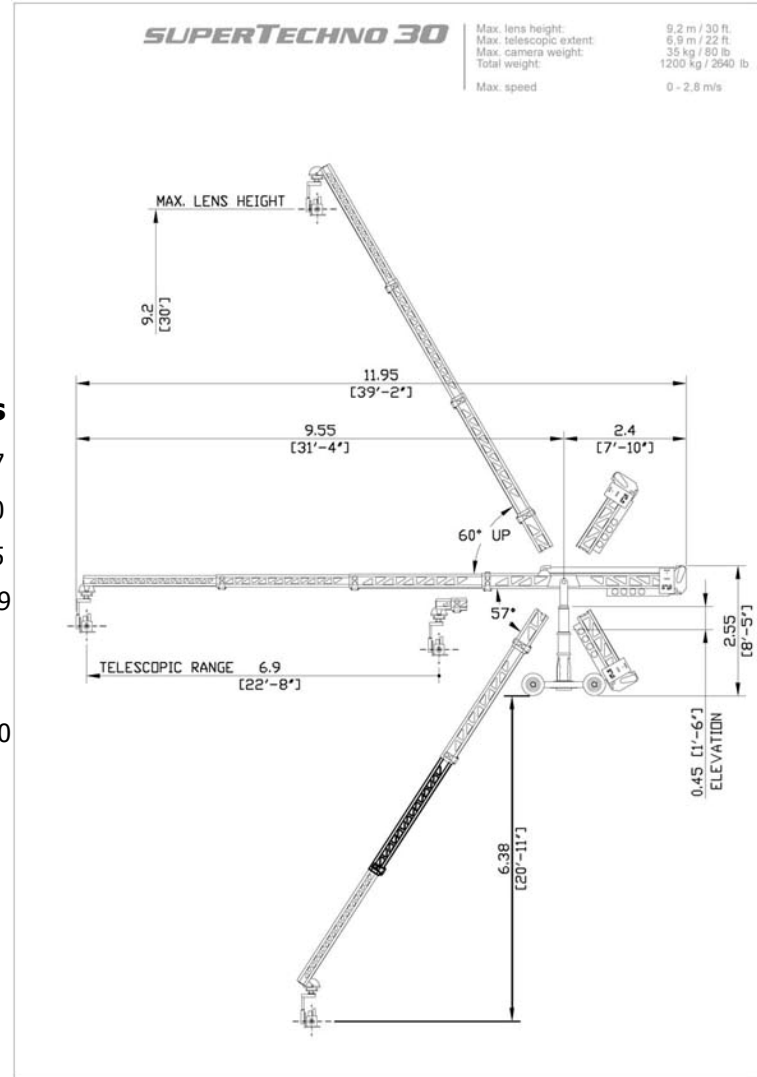
# SUPERTECHNO<sup>®</sup>



**SUPERTECHNO 30**  
 Max. lens height: 9.2 m / 30 ft.  
 Max. telescopic extent: 6.9 m / 22 ft.  
 Max. camera weight: 35 kg / 80 lb.  
 Total weight: 1200 kg / 2640 lb.  
 Max. speed: 0 - 2.8 m/s



PESOS	kg	lbs
Dolly	130	287
Column	100	220
Telescopic beam unit	320	705
Counterweights (43 x 13.5 kg)	580	1279
Z-Head	25	55
Supertechno 30 (incl. 20 kg camera)	1175	2590



**SUPERTECHNO 30**  
 Max. lens height: 9.2 m / 30 ft.  
 Max. telescopic extent: 6.9 m / 22 ft.  
 Max. camera weight: 35 kg / 80 lb.  
 Total weight: 1200 kg / 2640 lb.  
 Max. speed: 0 - 2.8 m/s